



# TriStar® VS 900

»»» Variable-Speed Pump Series



**EXPERT LINE**  
NOT SOLD ONLINE



TriStar VS 900 is the first Hayward® variable-speed pump designed exclusively for the trade. Right-sized for the majority of high-performance applications, TriStar VS 900 pays for itself faster than larger, more expensive variable-speed models.



### INDUSTRY-LEADING ENERGY EFFICIENCY

With their advanced hydraulic design, integrated variable-speed control and permanent magnet motor, TriStar VS pumps are the most energy-efficient pumps on the market, according to EPA ENERGY STAR® third-party testing. Their ENERGY STAR® rating also means owners may be eligible for local energy rebates.



### DESIGNED FOR DURABILITY

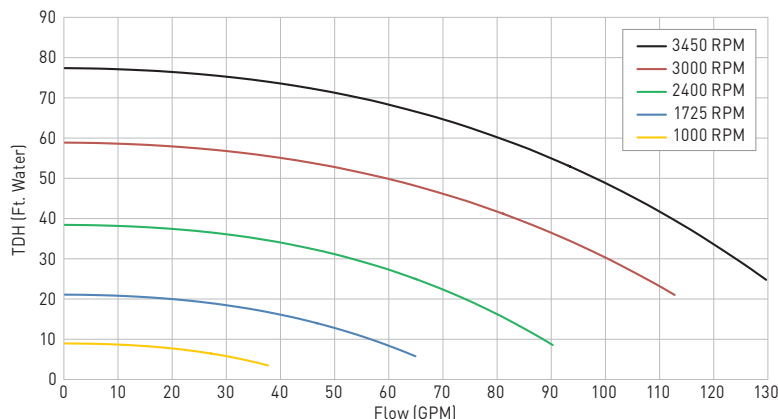
Built with a chemical-resistant Viton® seal and accompanied by a 3-year extended warranty, TriStar VS 900 offers powerful corrosion protection for years of reliable performance.



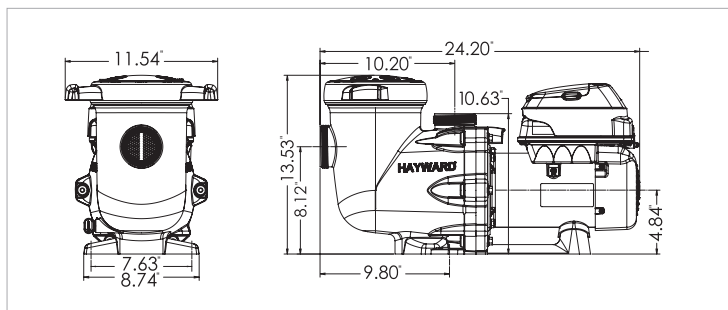
### EASY INSTALLATION & MAINTENANCE

2" x 2½" CPVC union connections make TriStar VS 900 easy to install and service. An extra-large, no-rib strainer basket allows for easy debris removal, while two pump-base options allow for seamless retrofitting, anywhere.

TRISTAR VS 900 PERFORMANCE COMPARISON



TRISTAR VS 900 DIMENSIONS (INCHES)



WALL MOUNTABLE  
DIGITAL INTERFACE

### SPECIFICATIONS

MODEL NUMBER	STAND ALONE	RELAY CONTROL	TOTALLY HAYWARD® AUTOMATION	TOTAL HP	VOLTS	SPEED RANGE	UNION CONNECTIONS	WARRANTY
SP32900VSP	•	•	•	1.85	230V	600-3450 RPM	2" x 2.5"	3 years

\* Compared to single-speed pumps.

» hayward.com » 1-888-HAYWARD | Pumps » Filters » Heating » Cleaners » Sanitization » Automation » Lighting » Water Effects » White Goods

Hayward and TriStar are registered trademarks of Hayward Industries, Inc. © 2017 Hayward Industries, Inc. ENERGY STAR is a registered mark owned by the U.S. government. All other trademarks not owned by Hayward are the property of their respective owners. Hayward is not in any way affiliated with or endorsed by those third parties.

LITTSVS90017

TriStar VS 900 pumps are listed by:

